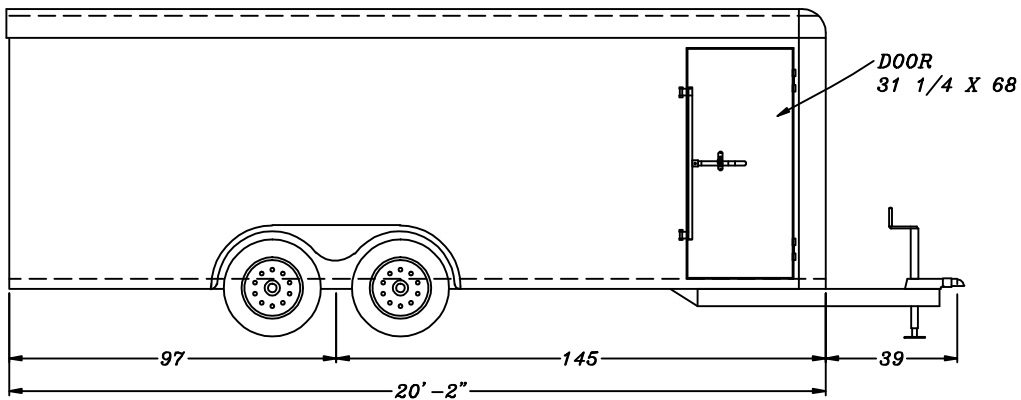
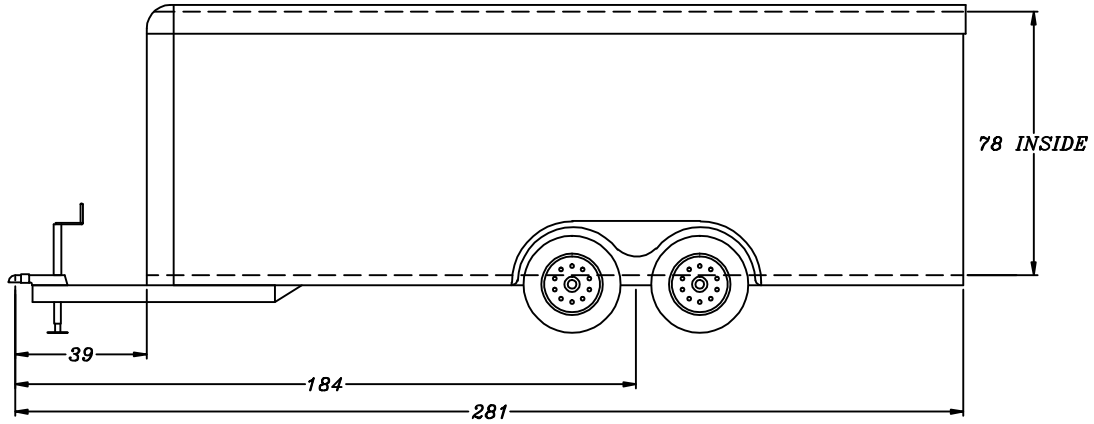
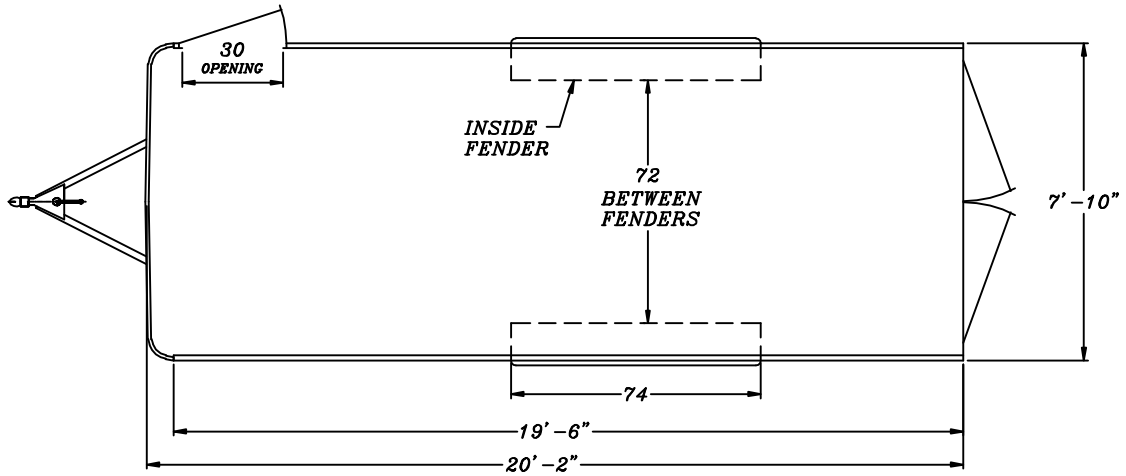


CARGO MATE BP

Galvanneal Exterior with Steel Bumper Pull Cargo Trailer
Tandem Axles and Brakes
20' Length x 7'-10" Width



Drawing may contain options, refer to standard equipment list.
Dimensions are approximated, elevations may vary according to
the size, pressure and uncontrolled variables.